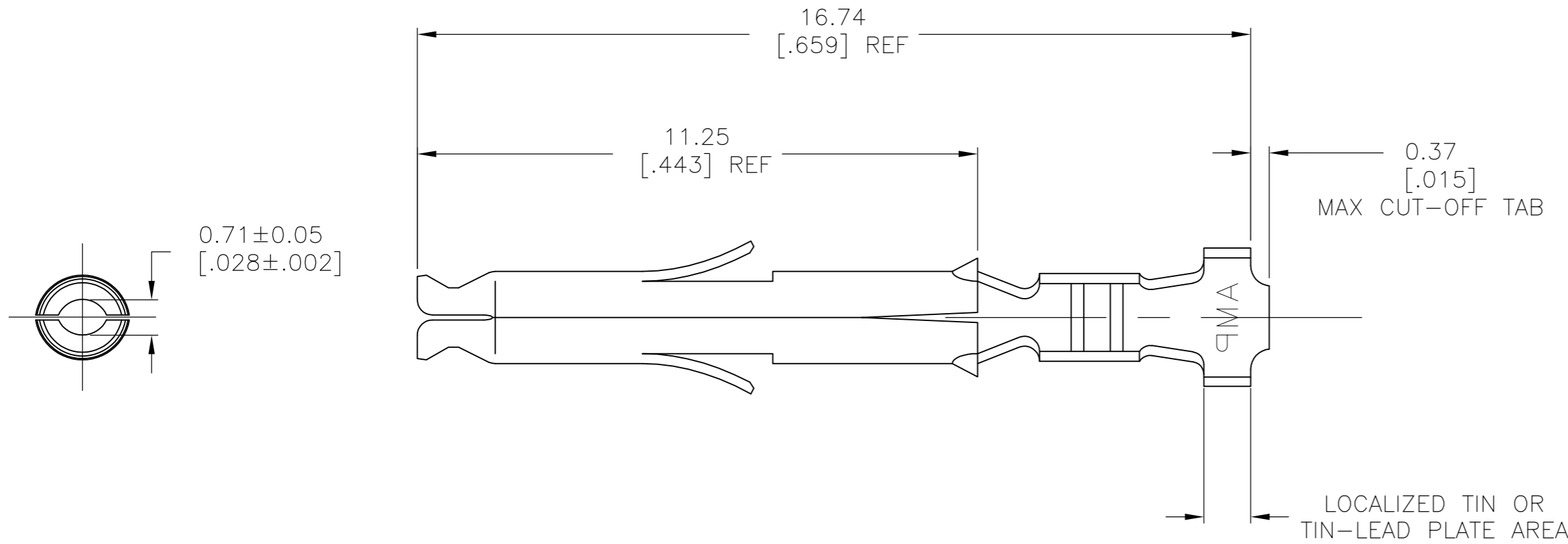
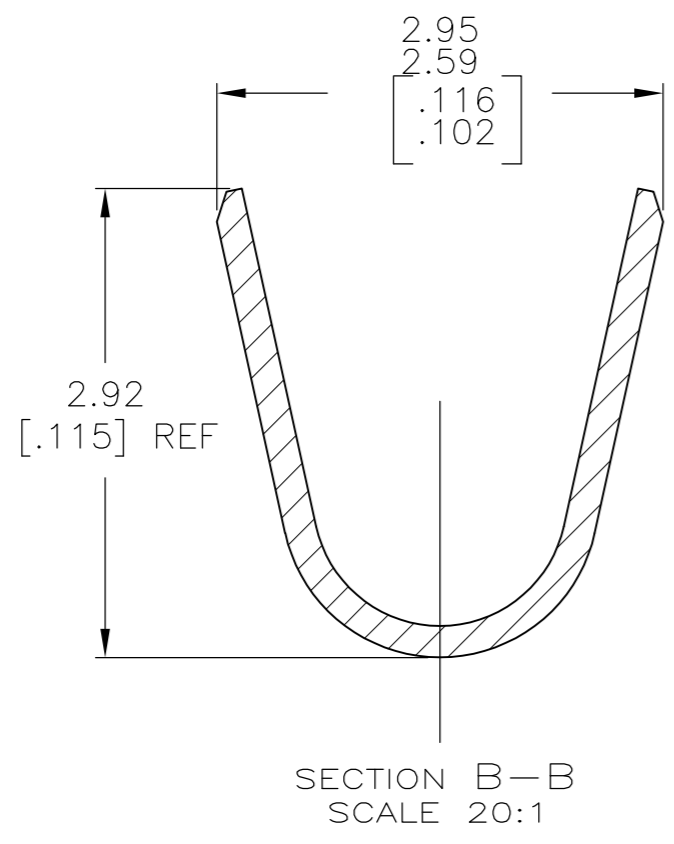
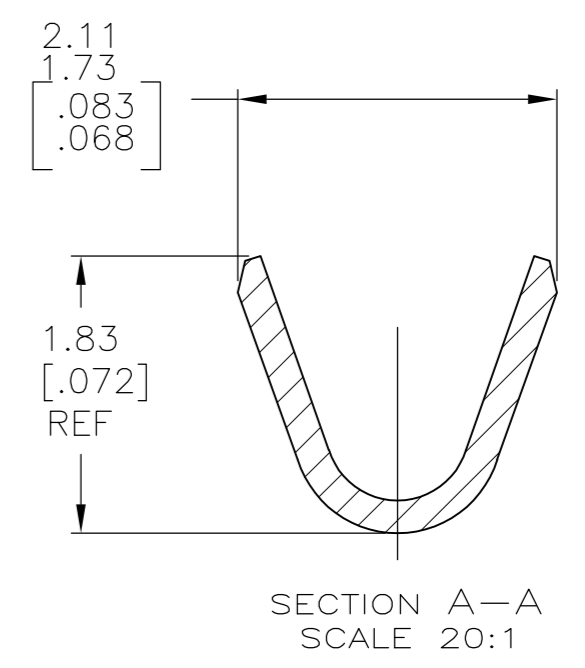
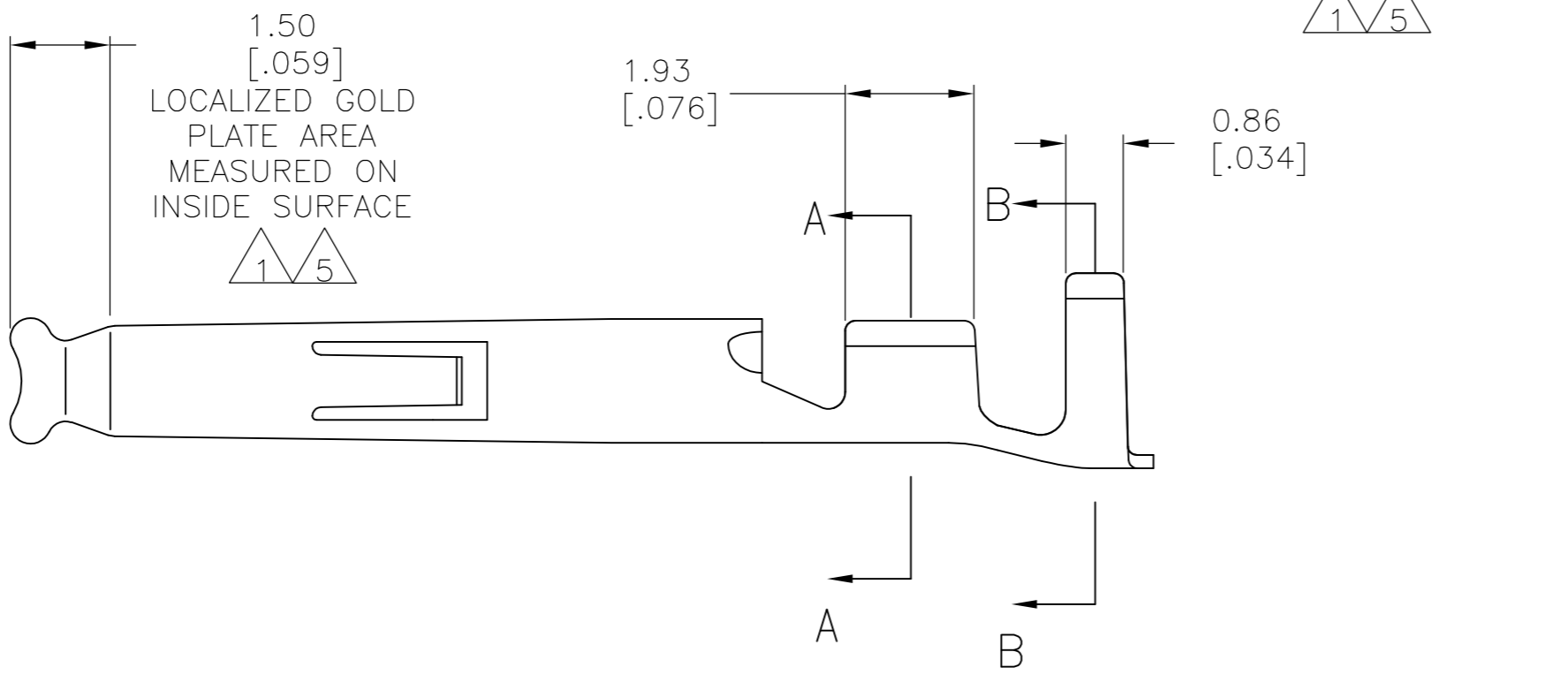


THIS DRAWING IS UNPUBLISHED. RELEASED FOR PUBLICATION  
 © COPYRIGHT - By - ALL RIGHTS RESERVED.

LOC		DIST		REVISIONS			
P	LTR	DESCRIPTION		DATE	DWN	APVD	
CM	00	H2	REVISED PER ECO-11-004820		11MAR11	RK	HMR



- 1 0.00076 [.000030] MIN GOLD IN LOCALIZED GOLD PLATE AREA AND 0.00254 [.000100] MIN BRIGHT TIN-LEAD IN LOCALIZED TIN-LEAD PLATE AREA OVER 0.0013 [.000050] MIN NICKEL.
- 2. WIRE RANGE: 0.12-0.4mm<sup>2</sup> (26-22 AWG).
- 3. INSULATION RANGE: 1.20-1.75 [.047-.069] DIA.
- 4. DIMENSIONS IN BRACKETS ARE IN INCHES.
- 5 0.00076 [.000030] MIN GOLD IN LOCALIZED GOLD PLATE AREA AND 0.00254 [.000100] MIN BRIGHT TIN IN LOCALIZED TIN PLATE AREA OVER 0.0013 [.000050] MIN NICKEL.
- 6 OBSOLETE PARTS: OBSOLETE CIS STREAMLINING PER D.RENAUD/D.SINISI



6	5	1	5
OBSOLETE			
	0.20 [.008] PH BRZ	4-770986-1	
	0.20 [.008] BRASS	1-770986-0	
	0.20 [.008] BRASS	770986-3	
	PRE-TIN	0.20 [.008] BRASS	770986-1
	FINISH	MATERIAL	PART NUMBER

METRIC

THIS DRAWING IS A CONTROLLED DOCUMENT.

DWN S. HOOVER 18OCT02	TE Connectivity			
CHK C. JONES 18OCT02				
APVD C. JONES 18OCT02				
PRODUCT SPEC				
APPLICATION SPEC	NAME			
WEIGHT	SIZE	CAGE CODE	DRAWING NO	RESTRICTED TO
SEE TABLE	A2	00779	C=770986	-
SEE TABLE	CUSTOMER DRAWING	SCALE 10:1	SHEET 1 of 1	REV H2